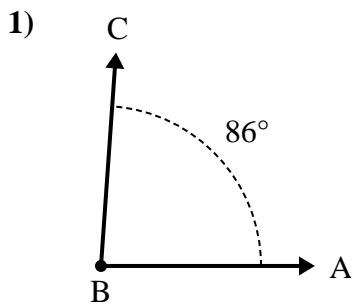


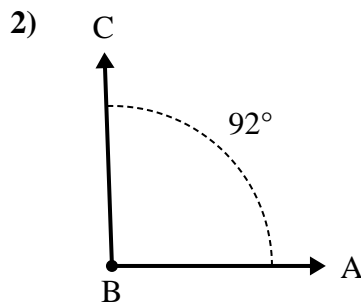


Solve each problem.

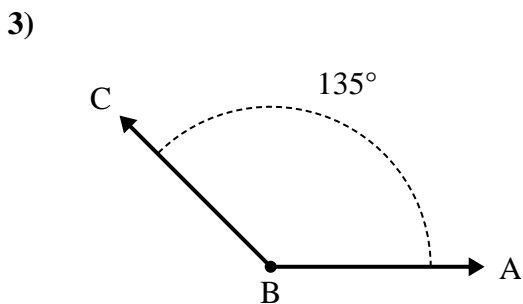
Answers



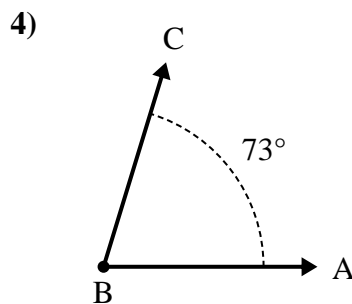
- A. Draw and label ray BD so that it cuts angle ABC into two smaller angles, with angle DBC measuring 35 degrees.
 B. What is the measure of angle ABD?



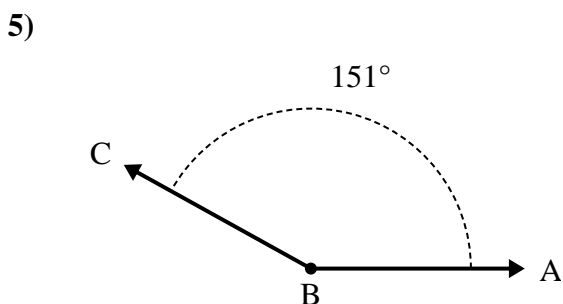
- A. Draw and label ray BD so that it cuts angle ABC into two smaller angles, with angle DBC measuring 34 degrees.
 B. What is the measure of angle ABD?



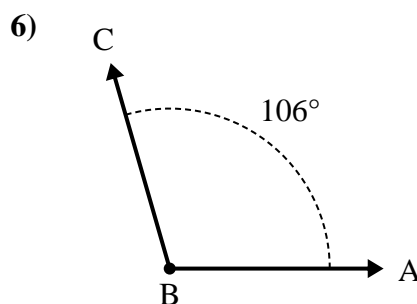
- A. Draw and label ray BD so that it cuts angle ABC into two smaller angles, with angle DBC measuring 47 degrees.
 B. What is the measure of angle ABD?



- A. Draw and label ray BD so that it cuts angle ABC into two smaller angles, with angle ABD measuring 42 degrees.
 B. What is the measure of angle DBC?



- A. Draw and label ray BD so that it cuts angle ABC into two smaller angles, with angle ABD measuring 52 degrees.
 B. What is the measure of angle DBC?

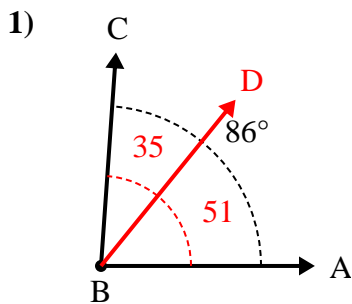


- A. Draw and label ray BD so that it cuts angle ABC into two smaller angles, with angle ABD measuring 76 degrees.
 B. What is the measure of angle DBC?

1. _____
 2. _____
 3. _____
 4. _____
 5. _____
 6. _____

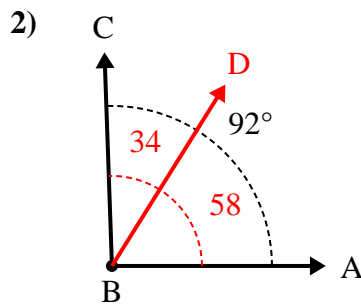


Solve each problem.



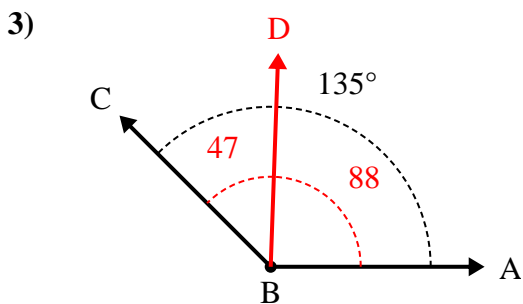
A. Draw and label ray BD so that it cuts angle ABC into two smaller angles, with angle DBC measuring 35 degrees.

B. What is the measure of angle ABD?



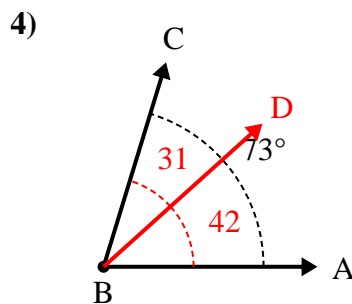
A. Draw and label ray BD so that it cuts angle ABC into two smaller angles, with angle DBC measuring 34 degrees.

B. What is the measure of angle ABD?



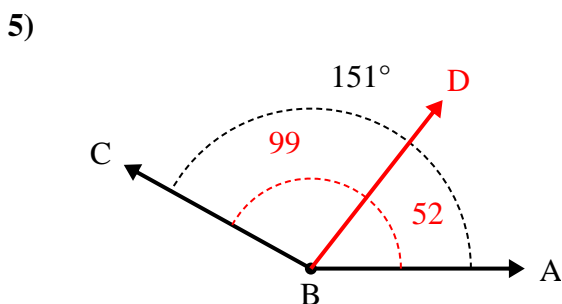
A. Draw and label ray BD so that it cuts angle ABC into two smaller angles, with angle DBC measuring 47 degrees.

B. What is the measure of angle ABD?



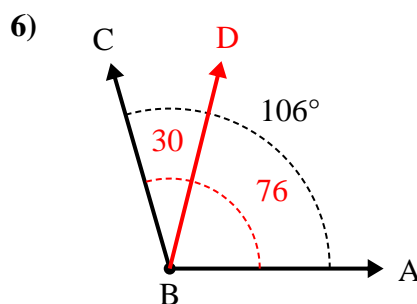
A. Draw and label ray BD so that it cuts angle ABC into two smaller angles, with angle ABD measuring 42 degrees.

B. What is the measure of angle DBC?



A. Draw and label ray BD so that it cuts angle ABC into two smaller angles, with angle ABD measuring 52 degrees.

B. What is the measure of angle DBC?



A. Draw and label ray BD so that it cuts angle ABC into two smaller angles, with angle ABD measuring 76 degrees.

B. What is the measure of angle DBC?

Answers

1. 51°

2. 58°

3. 88°

4. 31°

5. 99°

6. 30°