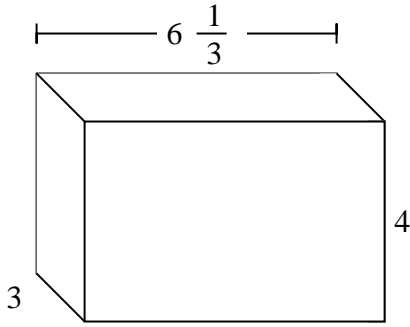


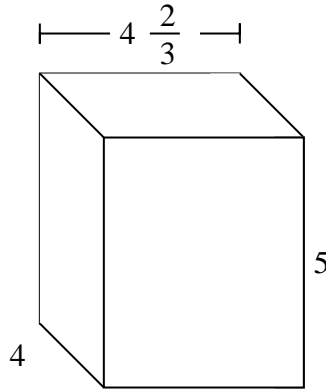


Fill each rectangular prism with cubes to determine the volume. Each prism's unit is measured in cm (not to scale).

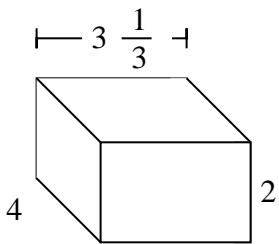
Ex)



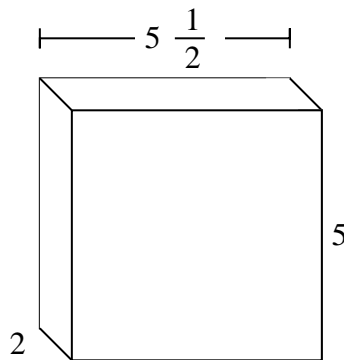
1)



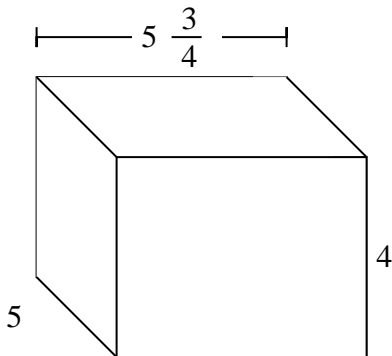
2)



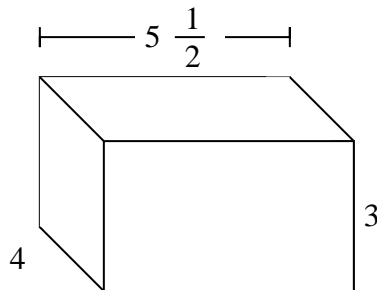
3)



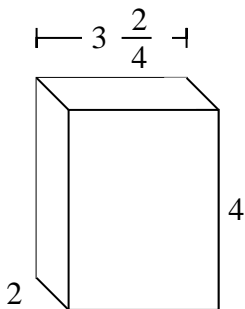
4)



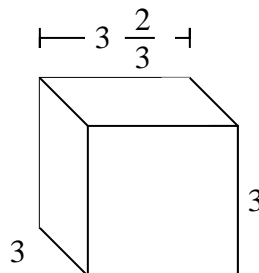
5)



6)



7)

AnswersEx. **76 cm**

1. \_\_\_\_\_

2. \_\_\_\_\_

3. \_\_\_\_\_

4. \_\_\_\_\_

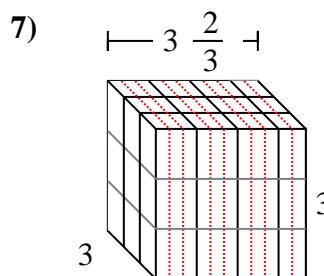
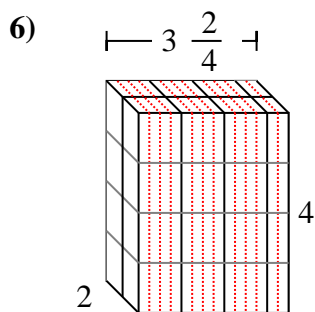
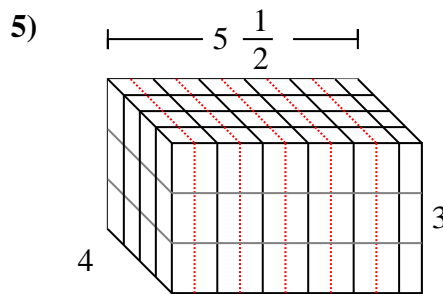
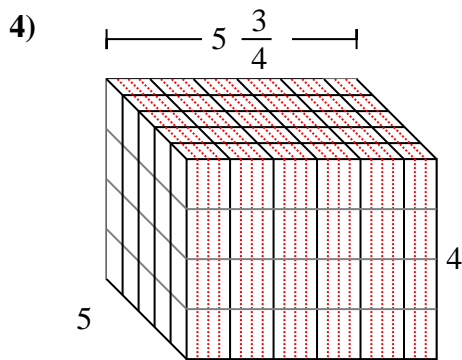
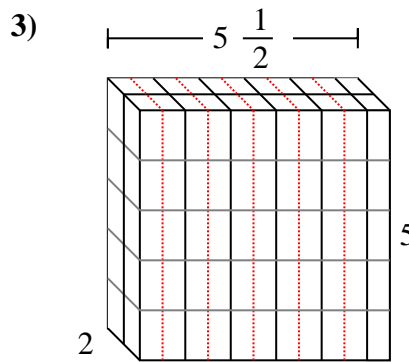
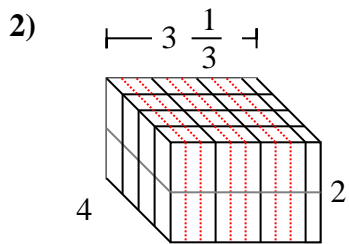
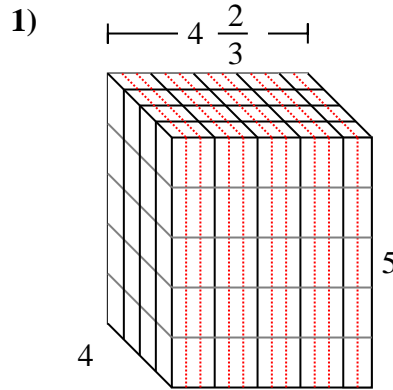
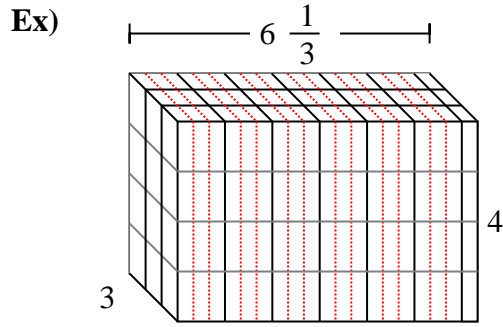
5. \_\_\_\_\_

6. \_\_\_\_\_

7. \_\_\_\_\_



Fill each rectangular prism with cubes to determine the volume. Each prism's unit is measured in cm (not to scale).

AnswersEx. 76 cm1. 93 1/3 cm2. 26 2/3 cm3. 55 cm4. 115 cm5. 66 cm6. 28 cm7. 33 cm