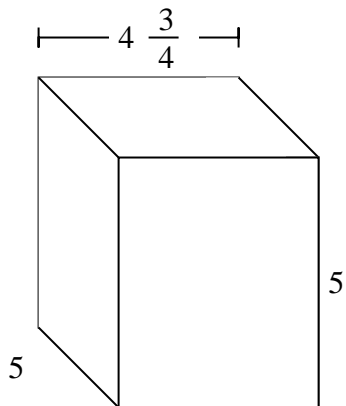


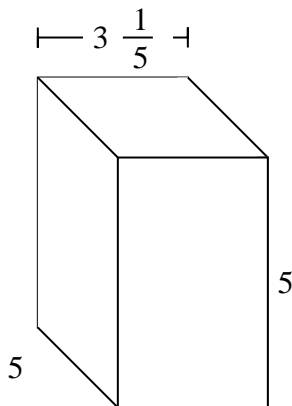


Fill each rectangular prism with cubes to determine the volume. Each prism's unit is measured in cm (not to scale).

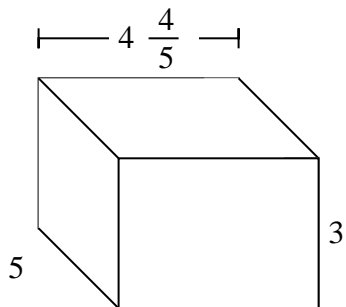
Ex)



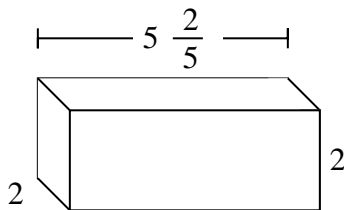
1)



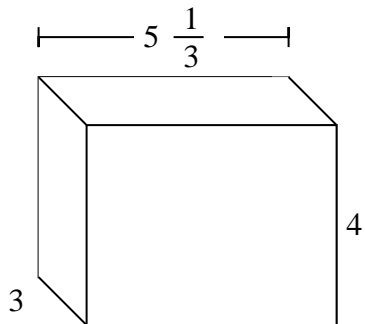
2)



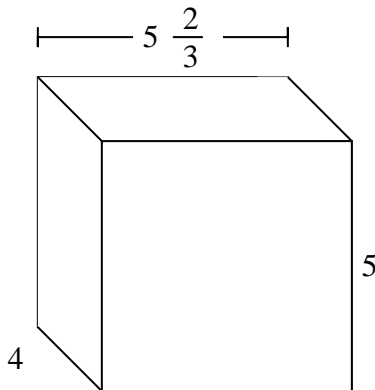
3)



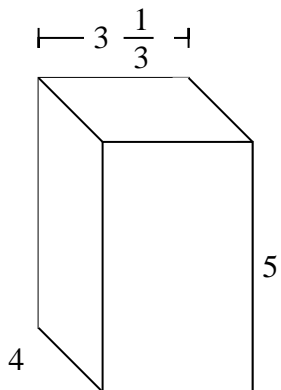
4)



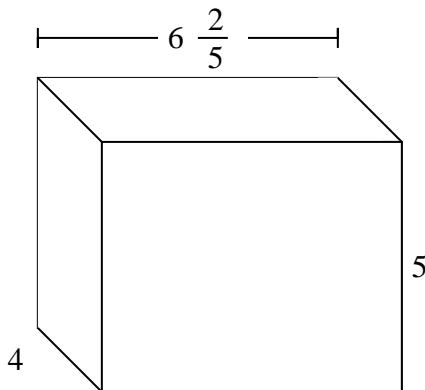
5)



6)



7)

AnswersEx.  $118 \frac{3}{4}$  cm

1. \_\_\_\_\_

2. \_\_\_\_\_

3. \_\_\_\_\_

4. \_\_\_\_\_

5. \_\_\_\_\_

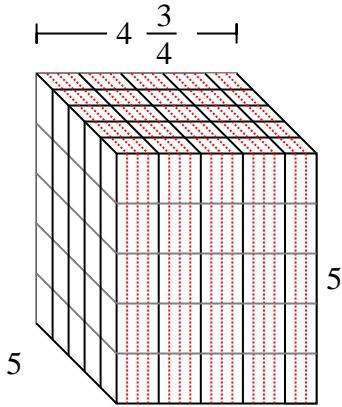
6. \_\_\_\_\_

7. \_\_\_\_\_

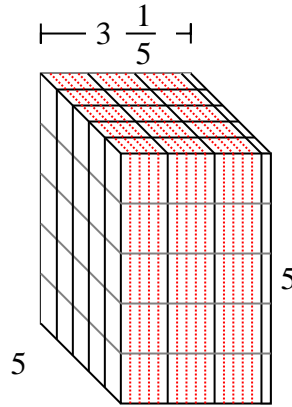


Fill each rectangular prism with cubes to determine the volume. Each prism's unit is measured in cm (not to scale).

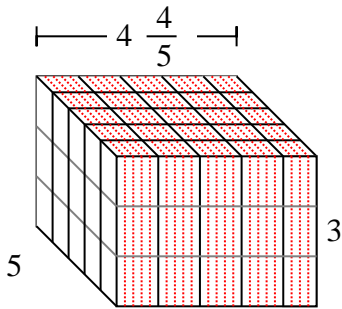
Ex)



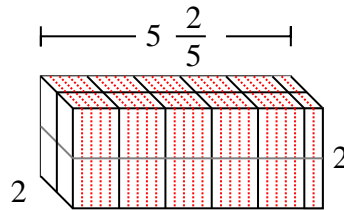
1)



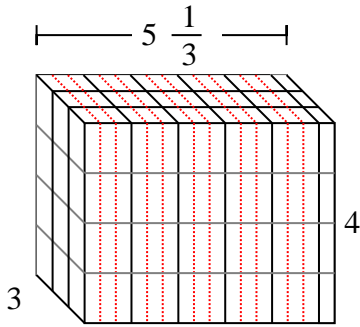
2)



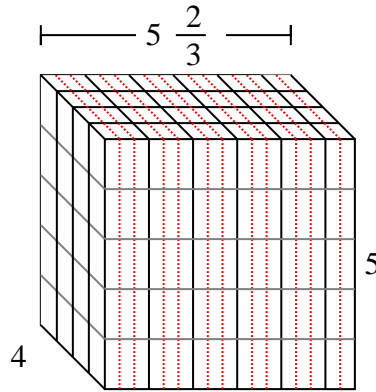
3)



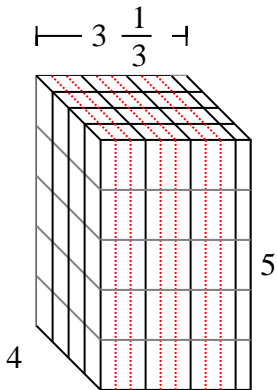
4)



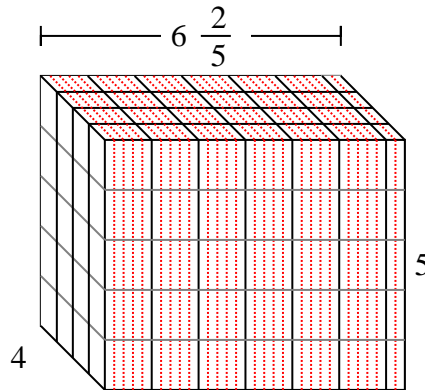
5)



6)



7)

**Answers**Ex.  $118 \frac{3}{4}$  cm1.  $80$  cm2.  $72$  cm3.  $21 \frac{3}{5}$  cm4.  $64$  cm5.  $113 \frac{1}{3}$  cm6.  $66 \frac{2}{3}$  cm7.  $128$  cm