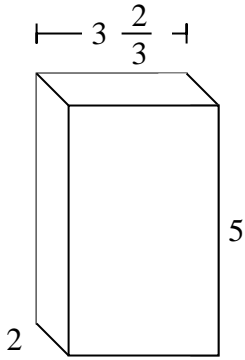


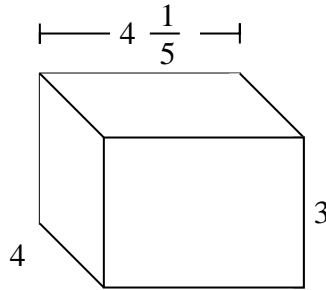


Fill each rectangular prism with cubes to determine the volume. Each prism's unit is measured in cm (not to scale).

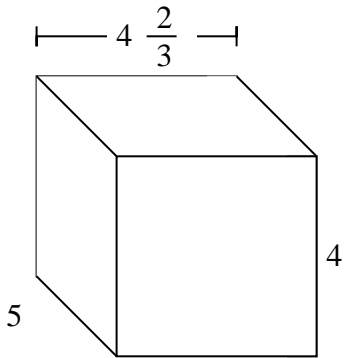
Ex)



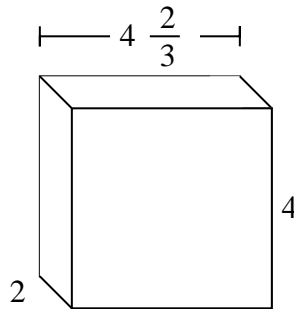
1)



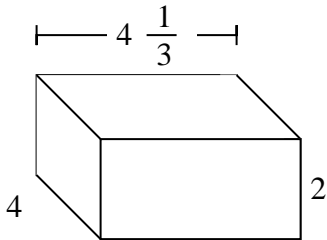
2)



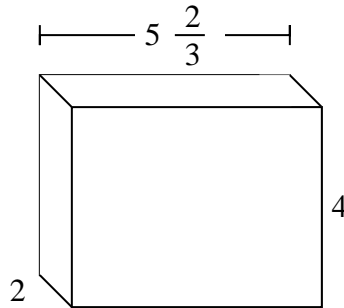
3)



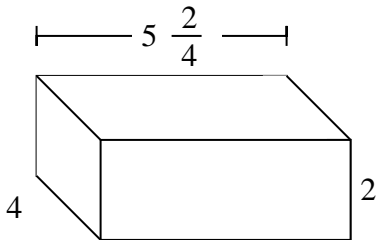
4)



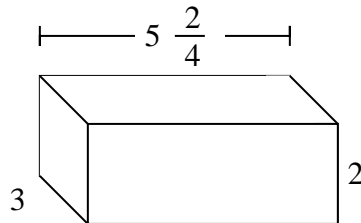
5)



6)



7)

AnswersEx.  $36\frac{2}{3}$  cm

1. \_\_\_\_\_

2. \_\_\_\_\_

3. \_\_\_\_\_

4. \_\_\_\_\_

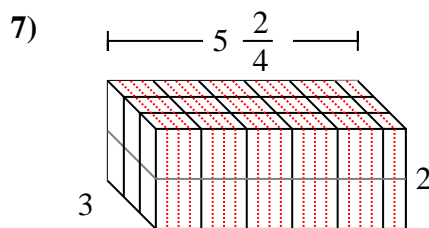
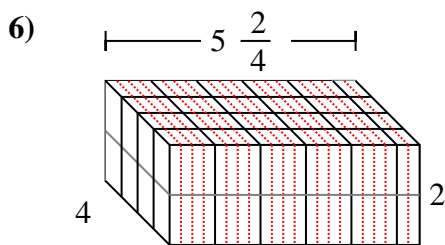
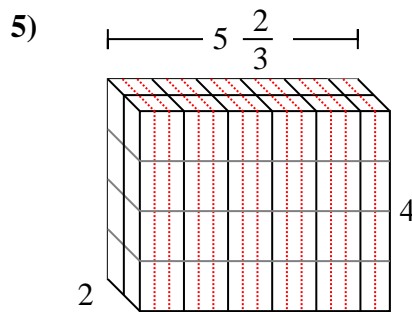
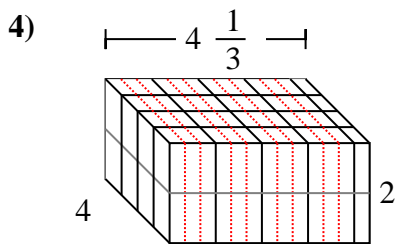
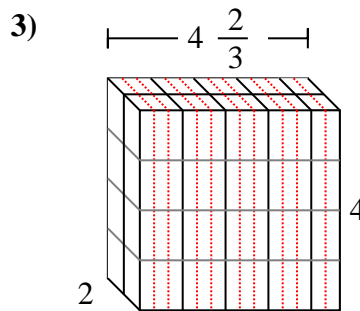
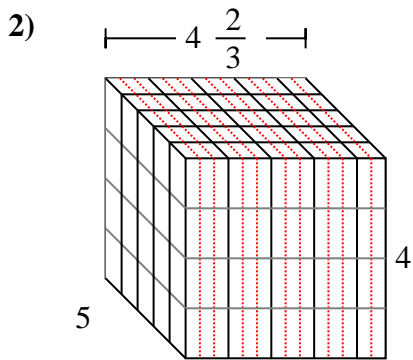
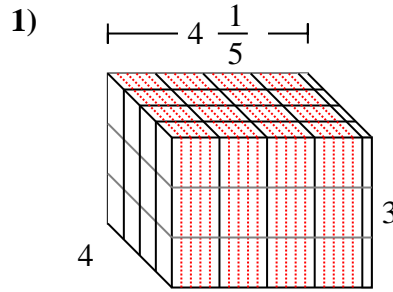
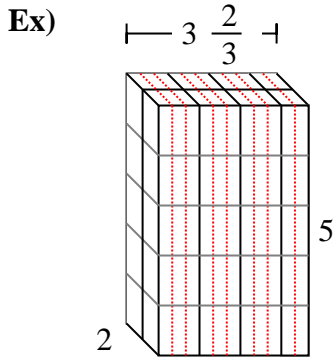
5. \_\_\_\_\_

6. \_\_\_\_\_

7. \_\_\_\_\_



Fill each rectangular prism with cubes to determine the volume. Each prism's unit is measured in cm (not to scale).

**Answers**

- Ex.  $36 \frac{2}{3}$  cm
1.  $50 \frac{2}{5}$  cm
2.  $93 \frac{1}{3}$  cm
3.  $37 \frac{1}{3}$  cm
4.  $34 \frac{2}{3}$  cm
5.  $45 \frac{1}{3}$  cm
6.  $44$  cm
7.  $33$  cm